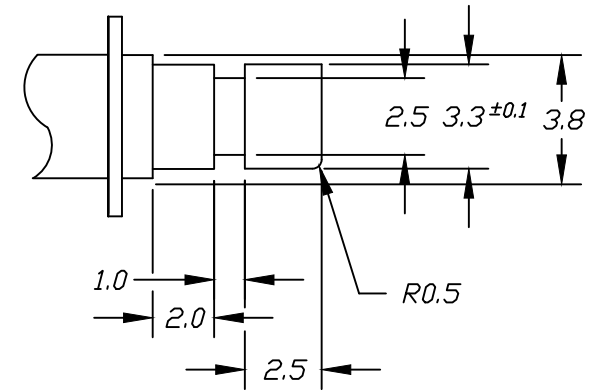
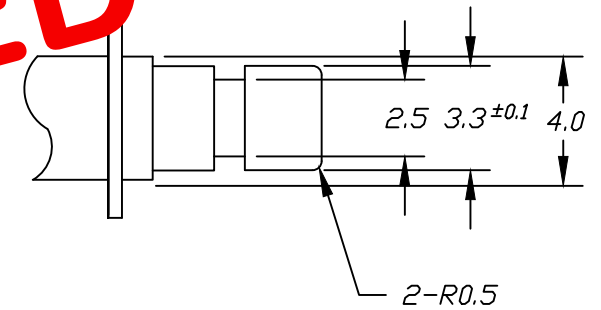


CIRCUIT: DPDT

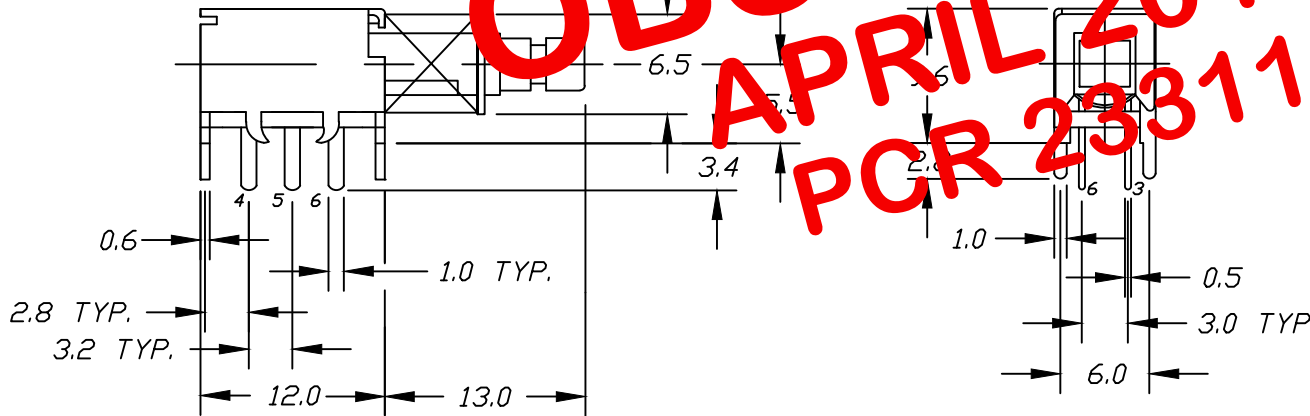
CONTACT CONFIGURATION

RECOMMEND P.C.B. HOLES

OBSOLETE
APRIL 2018
PCR 23311



(ACTUATOR DETAIL) SCALE 4:1



NOTES:

1. ALL DIMENSIONS IN MM
2. GENERAL TOLERANCE: X.X=±0.4
X.XX=±0.25
3. TERM. NOS. FOR REFERENCE ONLY.
4. RATING: DC 30V, 0.3A
5. OPERATING FORCE: 330±150GF
6. TRAVEL: FULL 3.5MM
7. TIMING: SHORTING

E-SWITCH®

TITLE					LC2255OASP				
SCALE	2:1	DATE	12/10/03	DR	AR	DWG	P020102	REV	A

THE INFORMATION CONTAINED IN THIS DOCUMENT IS PROPRIETARY TO E-SWITCH AND IS NOT TO BE COPIED OR TRANSFERRED

A	13647	RELEASED FOR PRODUCTION	12/10/03	AR
REV.	ECN No.	DESCRIPTION	DATE	CHKD