



RH LCD

Humidity Sensor with LCD

The ACI Relative Humidity with LCD utilizes a thermoset polymer capacitive sensing element with integral hydrophobic filter to deliver a proportional analog current or voltage output with long term reliability. The styling of the white, wall mounted enclosure with hinged cover makes it suitable for use in a wide variety of applications. The ACI RH LCD series products can be powered with either an AC or DC supply voltage and features a large, backlit display which improves the overall visibility of the display. Other features include onsite field calibration through a single point offset through the programming of the device using the integral keypad.

All units must be ordered with one of the supported output signals of 4-20 mA, 0-5 VDC, or 0-10 VDC. For additional options, including temperature, set point, override, fan and system settings, please see the A/TUCH2 product data sheet.

Applications: Local Humidity Display, Hospitals and Operating Rooms, Pharmaceutical Labs, Clean Rooms, ESD Static Control, Humidification, Dehumidification

The ACI RH LCD is covered by ACI's Five (5) Year Limited Warranty. The warranty can be found in the front of ACI's Sensors & Transmitters catalog, as well as on ACI's website, www.workaci.com.

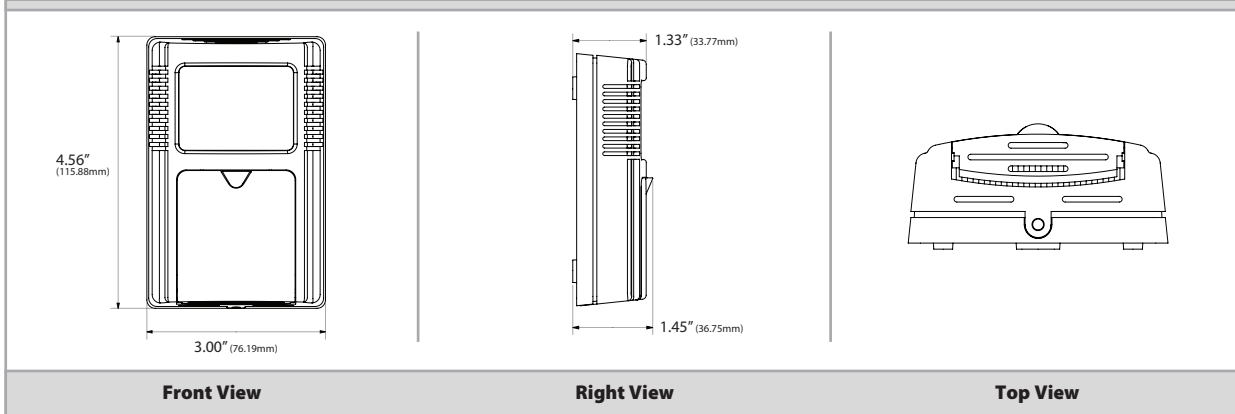
PRODUCT SPECIFICATIONS

Supply Voltage:	+12-40 VDC (0-5V) +18-40 VDC (0-10V, 4 to 20 mA) 20-28 VAC (All Outputs)
Supply Current:	Current Output: 30 mA maximum Voltage Output: 16 mA maximum
Analog Outputs:	0-5 VDC, 0-10 VDC, or 4-20 mA
RH Measurement Range:	0% to 100% RH
RH Accuracy at 77°F (25°C):	+/- 2%, +/- 3%, +/- 5% from 10 to 95% RH
Operating Temperature Range:	32°F to 104°F (0°C to 40°C)
Operating Relative Humidity Environment:	0 to 95% Relative Humidity (non-condensing)
Sensor Type:	Capacitive
Product Dimensions:	(H) 4.56" (115.88 mm) x (W) 3.00" (76.19 mm) x (D) 1.45" (36.75 mm)





DIMENSIONAL DRAWING



STANDARD ORDERING

Model # Example: **A/RH2-R-LCD-010** -OR- **131759**

Model #	Item #	Description
A/RH2-R-LCD-010	131759	Humidity, +/-2%, Room, Display, 0 to 10 VDC Output, 4 Button Membrane
A/RH2-R-LCD-05	131760	Humidity, +/-2%, Room, Display, 0 to 5 VDC Output, 4 Button Membrane
A/RH2-R-LCD-420	131761	Humidity, +/-2%, Room, Display, 4 to 20 mA Output, 4 Button Membrane
A/RH3-R-LCD-010	131765	Humidity, +/-3%, Room, Display, 0 to 10 VDC Output, 4 Button Membrane
A/RH3-R-LCD-05	131217	Humidity, +/-3%, Room, Display, 0 to 5 VDC Output, 4 Button Membrane
A/RH3-R-LCD-420	131715	Humidity, +/-3%, Room, Display, 4 to 20 mA Output, 4 Button Membrane
A/RH5-R-LCD-010	142795	Humidity, +/-5%, Room, Display, 0 to 10 VDC Output, 4 Button Membrane
A/RH5-R-LCD-05	131763	Humidity, +/-5%, Room, Display, 0 to 5 VDC Output, 4 Button Membrane
A/RH5-R-LCD-420	131764	Humidity, +/-5%, Room, Display, 4 to 20 mA Output, 4 Button Membrane

Note: RH-LCD Model numbers come with a standard 4 Button Membrane (On/Off/Setup/Select)

