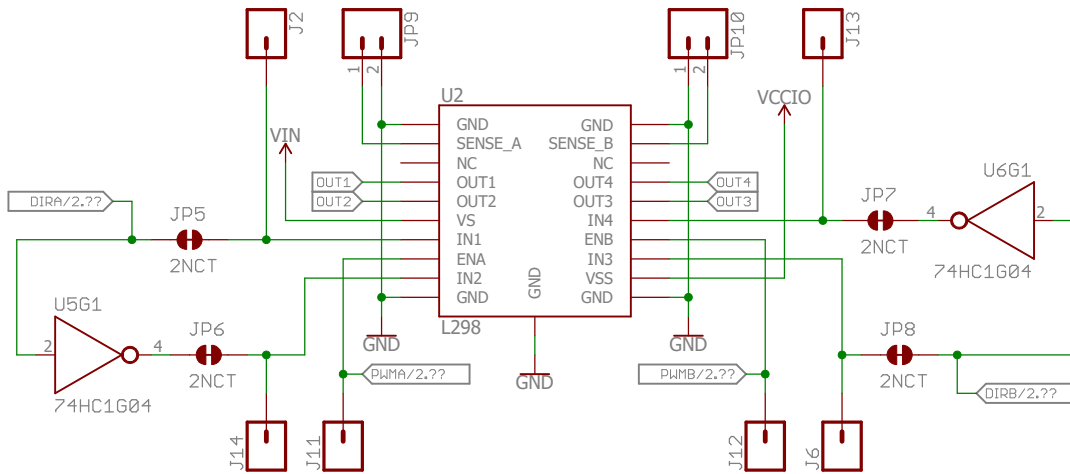


L298 Driver



BREAKOUT PINS:

The following pins are not necessary for normal use but can be used for more specific operation
 J2, J13, J14, J11, J12, and J6 all connect to the driver's control pins, directly to the IC
 JP9 and JP10 are shorted in the layout, and can be split to apply current sense resistors to the A and B channels.

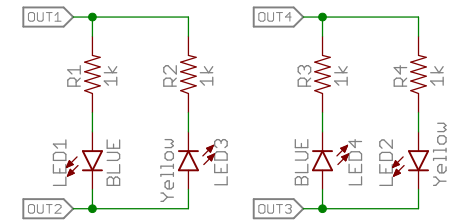
JUMPERS:

Open JP5 and JP6 before connecting to J2 and J14 for A-side totem drive control
 Open JP8 and JP7 before connecting to J6 and J13 for B-side totem drive control

WARNING:

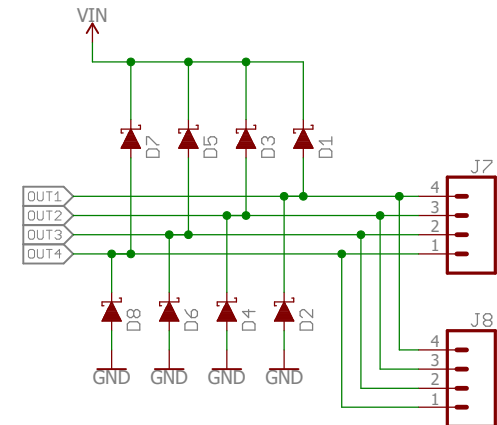
Make sure only one source is driving any net. JP3, JP1, JP2 and JP4 (the pin connection jumpers) should be considered and fully opened if necessary, to disconnect all input pins. Then, user wires can be added to re-configure the driver.

Drive LEDs



Driver Protection And Output

All diode values are "1A/40V/500mV"



Released under the Creative Commons

Attribution Share-Alike 4.0 License

<https://creativecommons.org/licenses/by-sa/4.0/>



TITLE: SparkFun_Ardumoto_v20

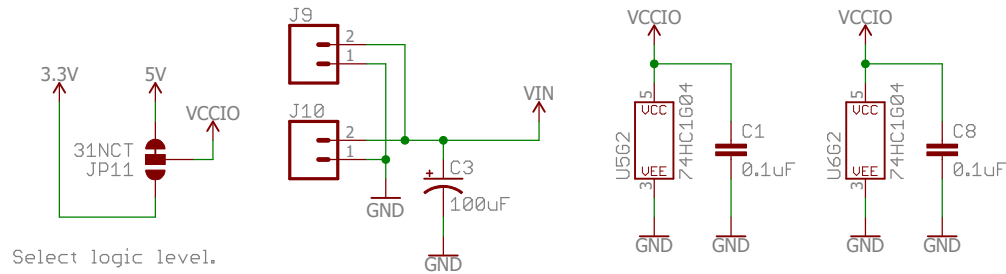
Design by: Pete Dokter
 Revised by: Marshall Taylor

REV:
 v20

Date: 3/31/2017 11:55 AM

Sheet: 1/2

Power Circuits

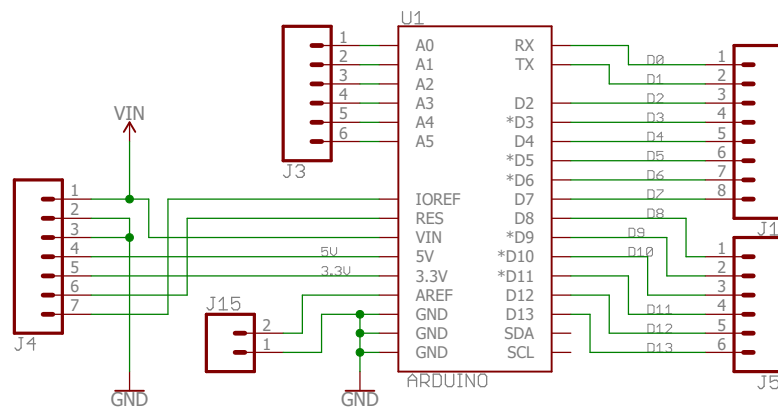


Select logic level.

Power can be supplied through the Uno connection (not recommended), or by the screw/solder terminals on this shield. When supplying from the shield, current flows back to power the Uno. Only use one connection at a time.

Vin range: 5V to 18V

Uno R3 Connections



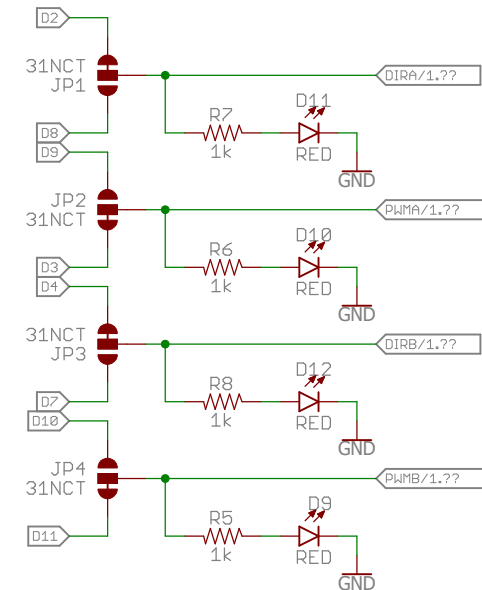
Uno Pin Connection Jumpers

The following jumpers are used to set the ArduMoto's control pins to one of two possible connection points.

Leave jumpers completely open if manually connecting control lines.

The default PWM pins are assigned to arduino timer 2, while the alternate assigns them to timer 1.

- JP1: 'A' Direction -- set to D2 (default) or D8
- JP2: 'A' PWM signal -- set to D3 (default) or D9
- JP3: 'B' Direction -- set to D4 (default) or D7
- JP4: 'B' PWM signal -- set to D11 (default) or D10



Released under the Creative Commons Attribution Share-Alike 4.0 License
<https://creativecommons.org/licenses/by-sa/4.0/>

TITLE: SparkFun_Ardumoto_v20

Design by: Pete Dokter
 Revised by: Marshall Taylor

REV:
v20

Date: 3/31/2017 11:55 AM

Sheet: 2/2