

FOR 3~12CKTS.

FOR 13~17CKTS.

(ONLY COVER SHAPE IS DIFFERENT FROM 3~12CKTS.)

NOTES: 1. MATERIAL

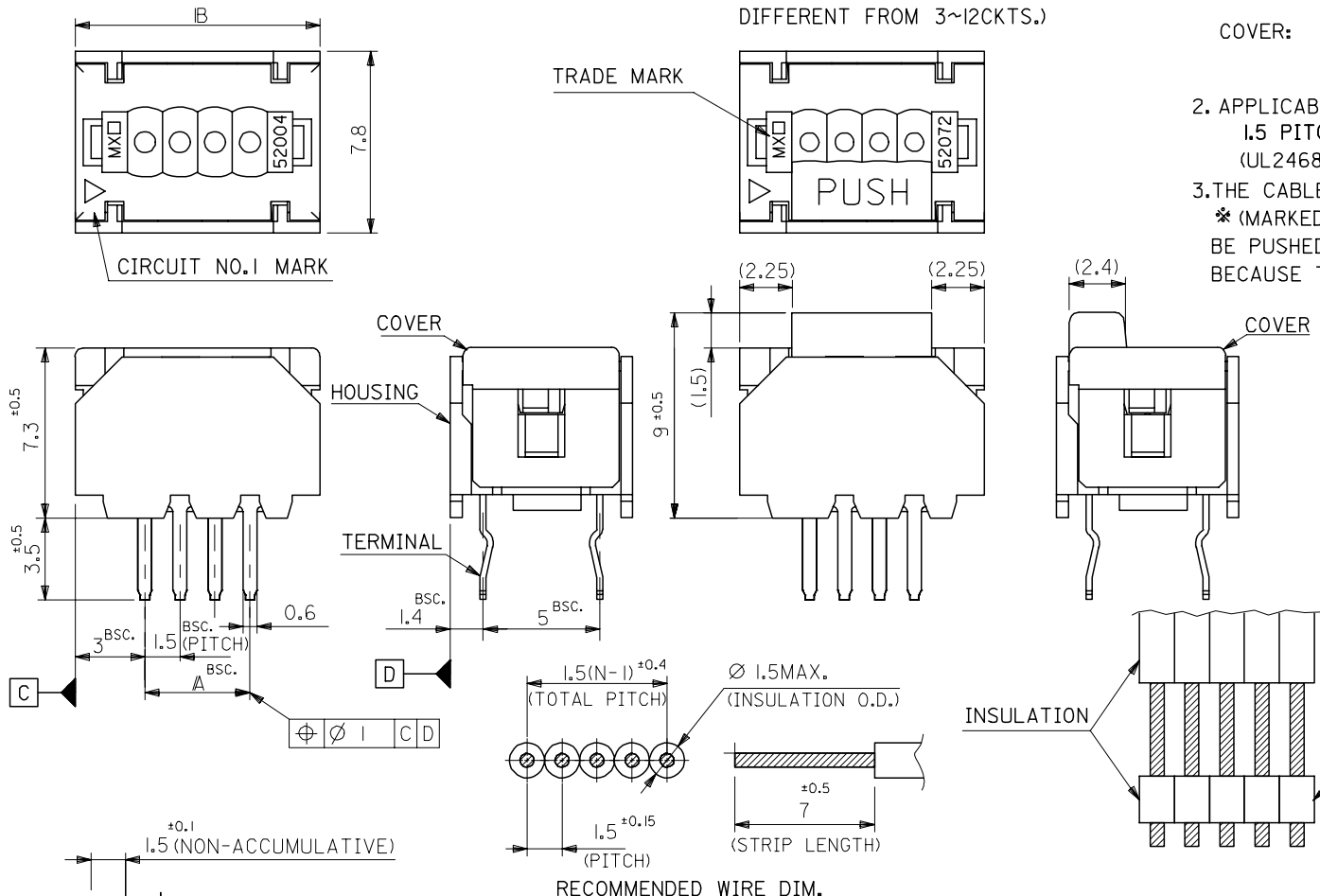
TERMINAL: PHOS-BRO, TIN-PLATED. (t=0.254)  
 HOUSING: PBT(15%G.F.), UL94V-0  
 G.E. PLASTICS JAPAN LTD.  
 VALOX DR-48 UL FILE NO. E45587  
 COVER: PBT(30%G.F.), UL94V-0  
 G.E. PLASTICS JAPAN LTD.  
 VALOX 420-SEO UL FILE NO. E45587

2. APPLICABLE WIRE

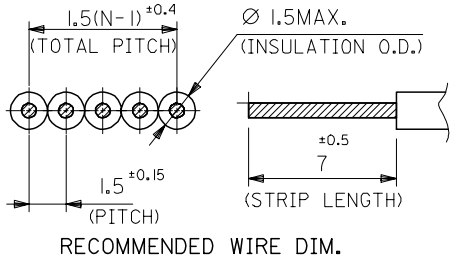
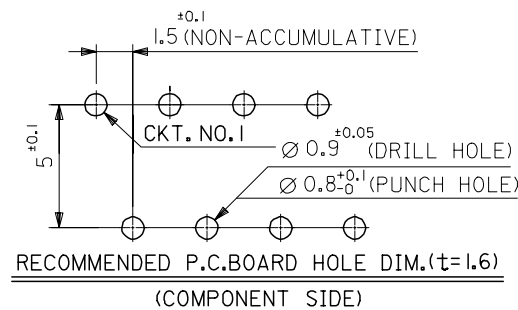
1.5 PITCH RIBBON CABLE  
 (UL2468, AWG#24~#26 TOP-COATED WIRE)

3. THE CABLE STRIPED AS SHOWN IN THE FIG.,

\* (MARKED INSULATION) PART SHOULD NOT BE PUSHED AND SLID DIRECTLY BY THE COVER, BECAUSE THE COVER MAY BE POSSIBLY PUSHED DOWN.



|      |      |            |    |
|------|------|------------|----|
| 30   | 24   | 52004-1710 | 17 |
| 28.5 | 22.5 | -1610      | 16 |
| 27   | 21   | -1510      | 15 |
| 25.5 | 19.5 | -1410      | 14 |
| 24   | 18   | -1310      | 13 |
| 22.5 | 16.5 | -1210      | 12 |
| 21   | 15   | -1110      | 11 |
| 19.5 | 13.5 | -1010      | 10 |
| 18   | 12   | -0910      | 9  |
| 16.5 | 10.5 | -0810      | 8  |
| 15   | 9    | -0710      | 7  |
| 13.5 | 7.5  | -0610      | 6  |
| 12   | 6    | -0510      | 5  |
| 10.5 | 4.5  | -0410      | 4  |
| 9    | 3    | -0310      | 3  |
| IB   | A    | 52004-0310 | 3  |
|      |      | ENG. NO.   | 極数 |



|   |                                       |           |                            |   |   |                        |                        |  |
|---|---------------------------------------|-----------|----------------------------|---|---|------------------------|------------------------|--|
| REVISED<br>ECNO: J2004-4815<br>DRAWN: IDA 2004/08/05<br>CHK: KHTAKASE 2004/08/05<br>APPR: JMIYAZAW 2004/08/17 | GENERAL TOLERANCES (UNLESS SPECIFIED) |           | DIMENSION STYLE<br>MM ONLY |   | SCALE<br>5:1  | DESIGN UNITS<br>METRIC | THIRD ANGLE PROJECTION |  |
|   | 10 UNDER                              | ±0.2      | DRAWN BY<br>SKUNISHI       | DATE<br>86/08/27  | TITLE<br>1.5 WIRE TRAP CONN.                                      |                        |                        |  |
|   | 10 OVER 30 UNDER                      | ±0.25     | CHECKED BY<br>HII          | DATE<br>93/01/18  |   |                        |                        |  |
|   | 30 OVER                               | ±0.3      | APPROVED BY<br>MFUKUSHIMA  | DATE<br>93/01/18  | MOLEX INCORPORATED<br>DOCUMENT NO. SD-52004-**10 SHEET NO. 1 OF 2 |                        |                        |  |
|   | ANGULAR                               | ±3 °      | MATERIAL NO.               | SIZE<br>A3  |   |                        |                        |  |
| DRAFT WHERE APPLICABLE MUST REMAIN WITHIN DIMENSIONS  |                                       | SEE CHART |                            | THIS DRAWING CONTAINS INFORMATION THAT IS PROPRIETARY TO MOLEX INCORPORATED AND SHOULD NOT BE USED WITHOUT WRITTEN PERMISSION |   |                        |                        |  |

10 9 8 7 6 5 4 3 2 1

3極から12極の形状

13極から17極の形状  
(カバーの形状のみ異なる)

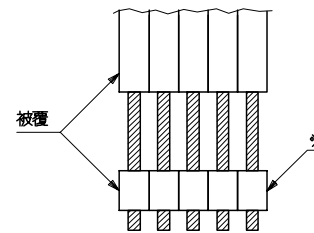
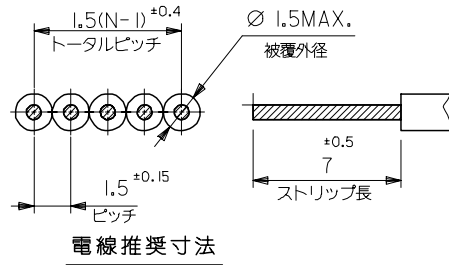
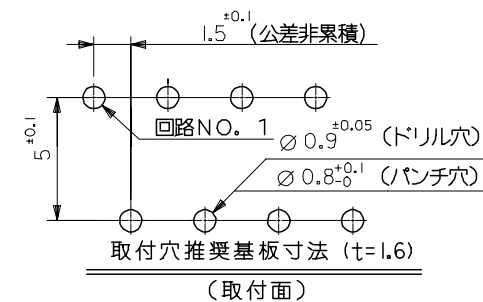
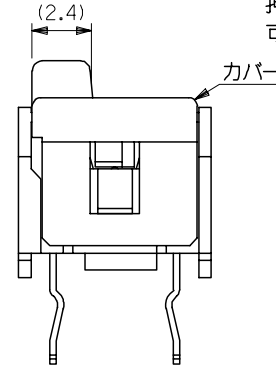
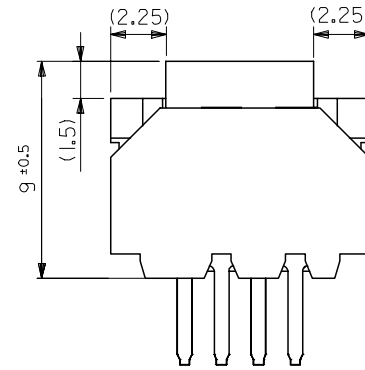
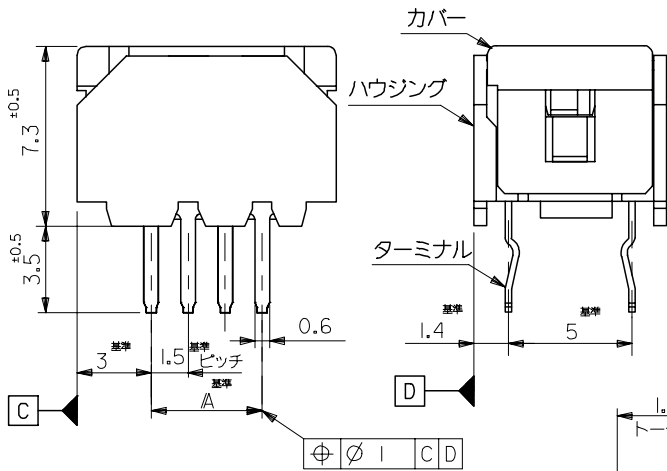
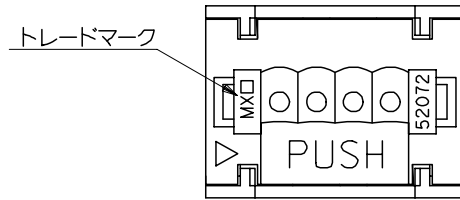
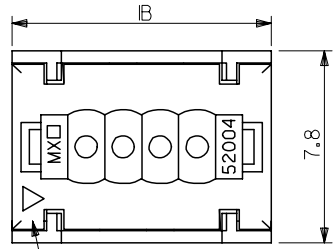
(注記) 1. 材質

ターミナル: 磷青銅材, 錫メッキ (t=0.254)  
 ハウジング: PBT(15%G.F.),UL94V-0  
 G.E. PLASTICS JAPAN LTD.  
 VALOX DR-48 UL FILE NO. E45587  
 カバー: PBT(30%G.F.),UL94V-0  
 G.E. PLASTICS JAPAN LTD.  
 VALOX 420-SEO UL FILE NO. E45587

2. 適用電線

1. 5mmピッチリボンケーブル。  
 (UL2468、AWG#24~#26錫コート線)

3. 下図の様な末端処理ケーブルにて、\*部を直接カバーに押し付けスライドさせる使用法はカバーが押し下げられる可能性があるため不可。



|      |      |            |    |
|------|------|------------|----|
| 30   | 24   | 52004-1710 | 17 |
| 28.5 | 22.5 | -1610      | 16 |
| 27   | 21   | -1510      | 15 |
| 25.5 | 19.5 | -1410      | 14 |
| 24   | 18   | -1310      | 13 |
| 22.5 | 16.5 | -1210      | 12 |
| 21   | 15   | -1110      | 11 |
| 19.5 | 13.5 | -1010      | 10 |
| 18   | 12   | -0910      | 9  |
| 16.5 | 10.5 | -0810      | 8  |
| 15   | 9    | -0710      | 7  |
| 13.5 | 7.5  | -0610      | 6  |
| 10.5 | 4.5  | -0410      | 4  |
| 9    | 3    | -0310      | 3  |
| IB   | A    | 52004-0310 | 極数 |

|  |                                       |            |   |                  |   |                        |                        |
|--|---------------------------------------|------------|---|------------------|---|------------------------|------------------------|
| REVISED<br>ECNO: J2004-4815<br>DRAWN: IIDA 2004/08/05<br>CHK: KHTAKASE 2004/08/05<br>APPR: JMIYAZAW 2004/08/17 | GENERAL TOLERANCES (UNLESS SPECIFIED) |            | DIMENSION STYLE<br>MM ONLY  |                  | SCALE<br>5:1  | DESIGN UNITS<br>METRIC | THIRD ANGLE PROJECTION |
|  | 10 UNDER                              | ±0.2       | DRAWN BY<br>SKUNISHI  | DATE<br>86/08/27 | TITLE<br>1.5 WIRE TRAP CONN.<br>(JAPAN)<br><br>MOLEX INCORPORATED<br><br>DOCUMENT NO.<br>SD-52004-**10<br><br>SHEET NO.<br>2 OF 2 |                        |                        |
|  | 10 OVER 30 UNDER                      | ±0.25      | CHECKED BY<br>HII   | DATE<br>93/01/18 |   |                        |                        |
|  | 30 OVER                               | ±0.3       | APPROVED BY<br>MFUKUSHIMA   | DATE<br>93/01/18 |   |                        |                        |
|  | ANGULAR                               | ±3 °       | MATERIAL NO.  |                  |   |                        |                        |
| DRAFT WHERE APPLICABLE MUST REMAIN WITHIN DIMENSIONS   |                                       | SIZE<br>A3 | THIS DRAWING CONTAINS INFORMATION THAT IS PROPRIETARY TO MOLEX INCORPORATED AND SHOULD NOT BE USED WITHOUT WRITTEN PERMISSION |                  |   |                        |                        |