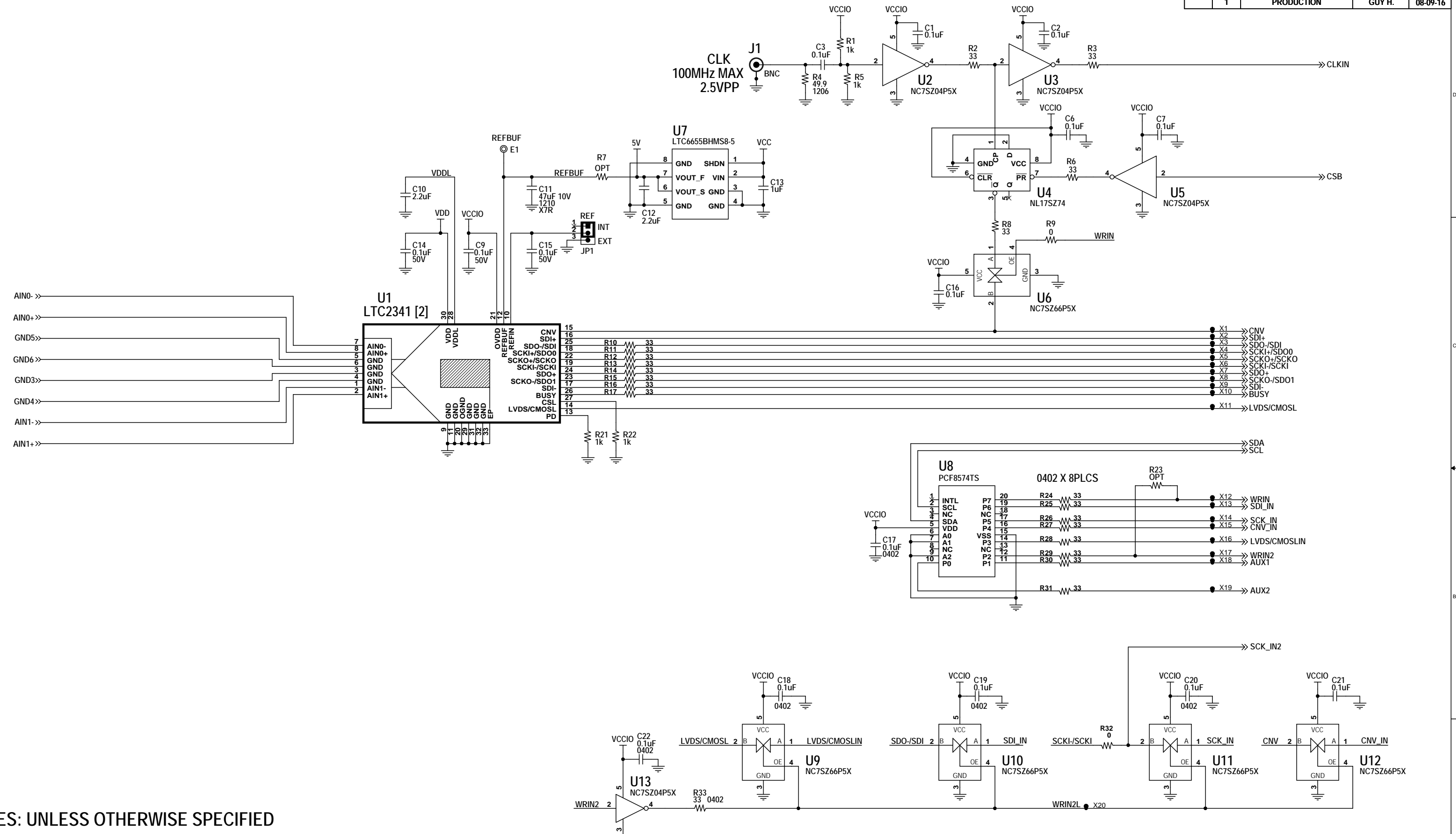


| REVISION HISTORY | | | | |
|------------------|-----|-------------|----------|----------|
| ECO | REV | DESCRIPTION | APPROVED | DATE |
| | 1 | PRODUCTION | GUY H. | 08-09-16 |

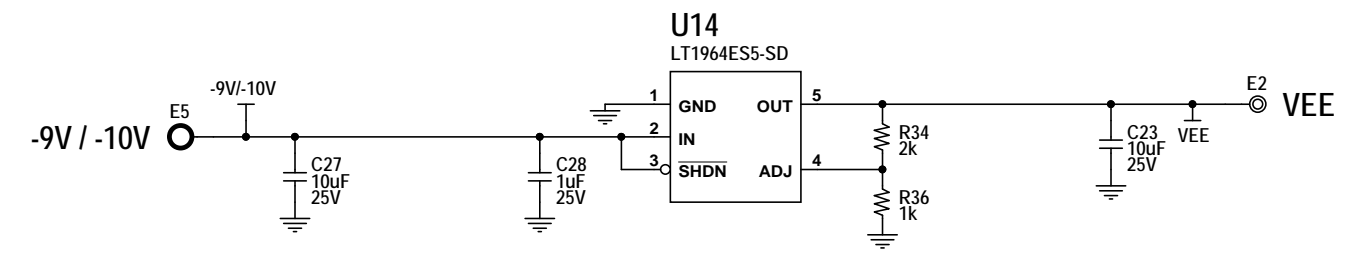
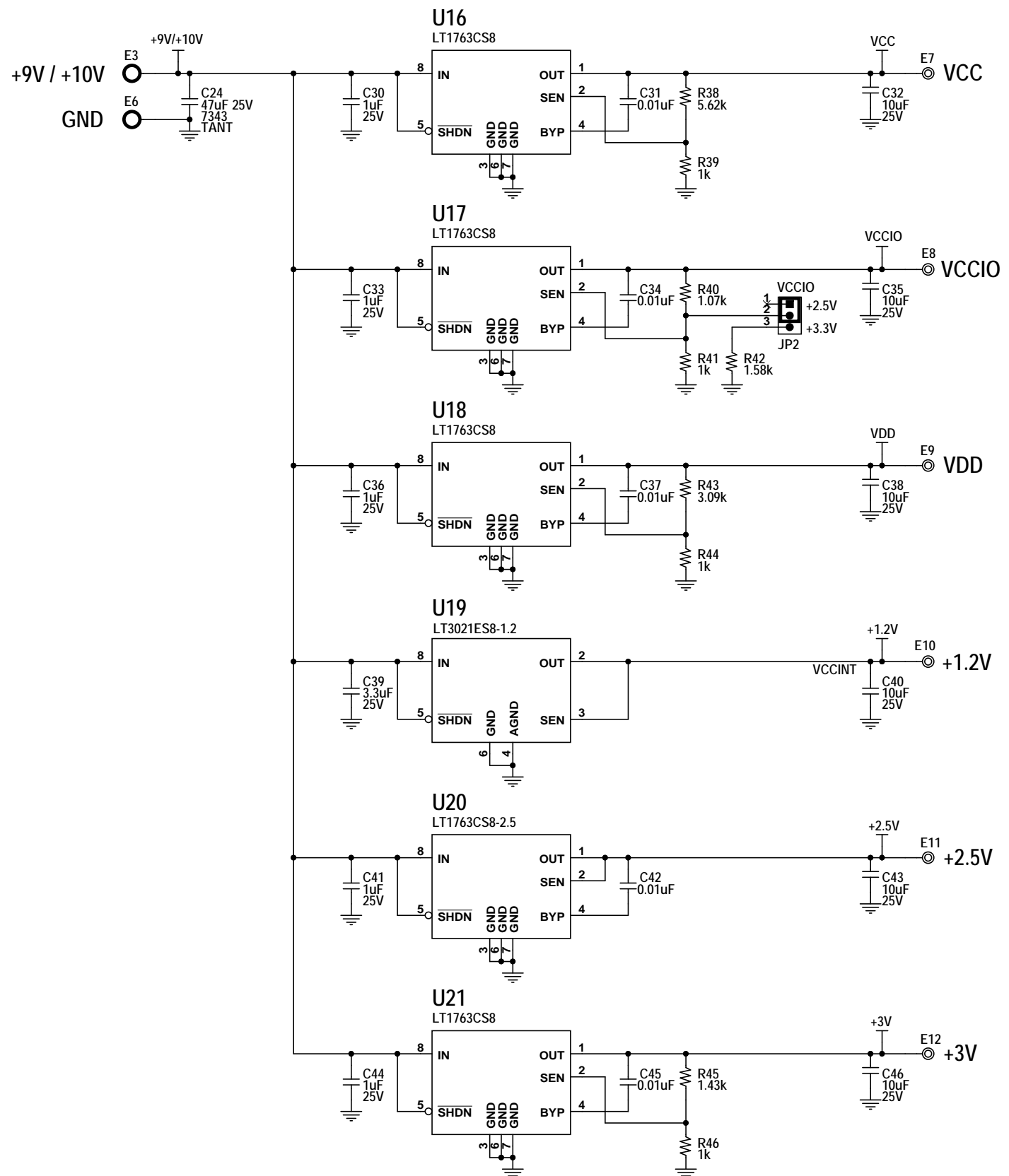


NOTES: UNLESS OTHERWISE SPECIFIED

- ALL RESISTORS AND CAPACITORS ON THIS PAGE ARE 0603.
- ASSEMBLY TABLE:

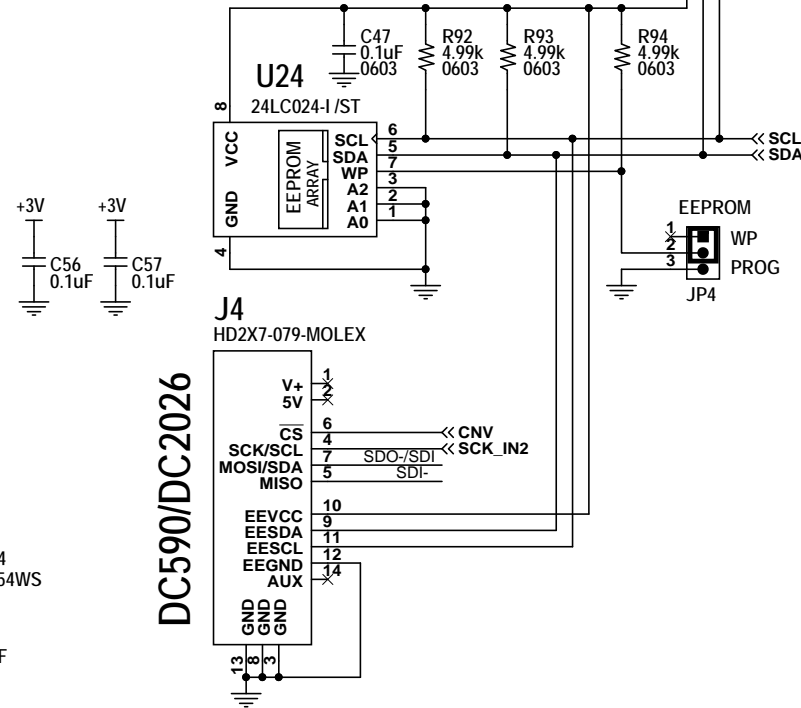
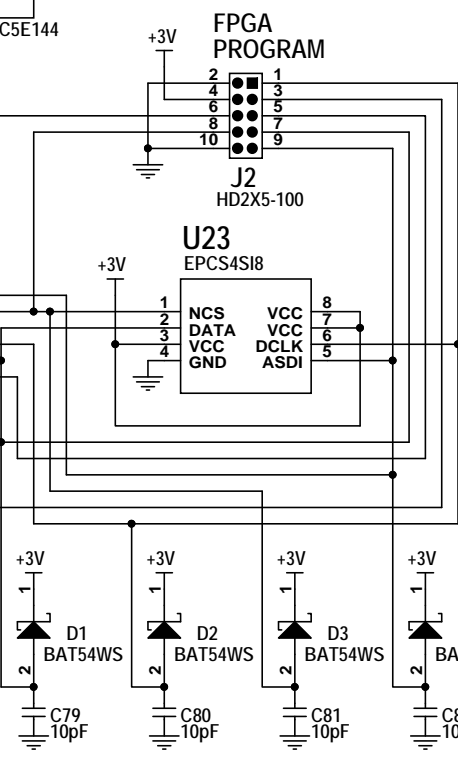
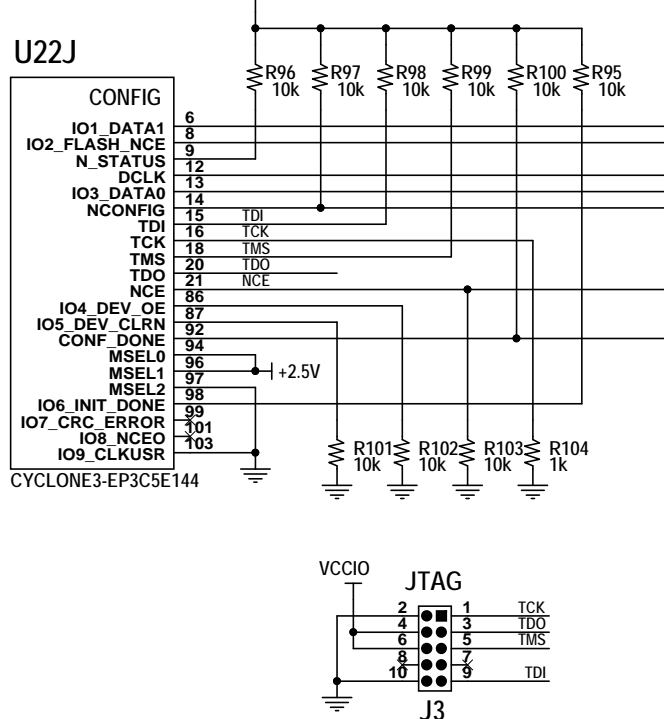
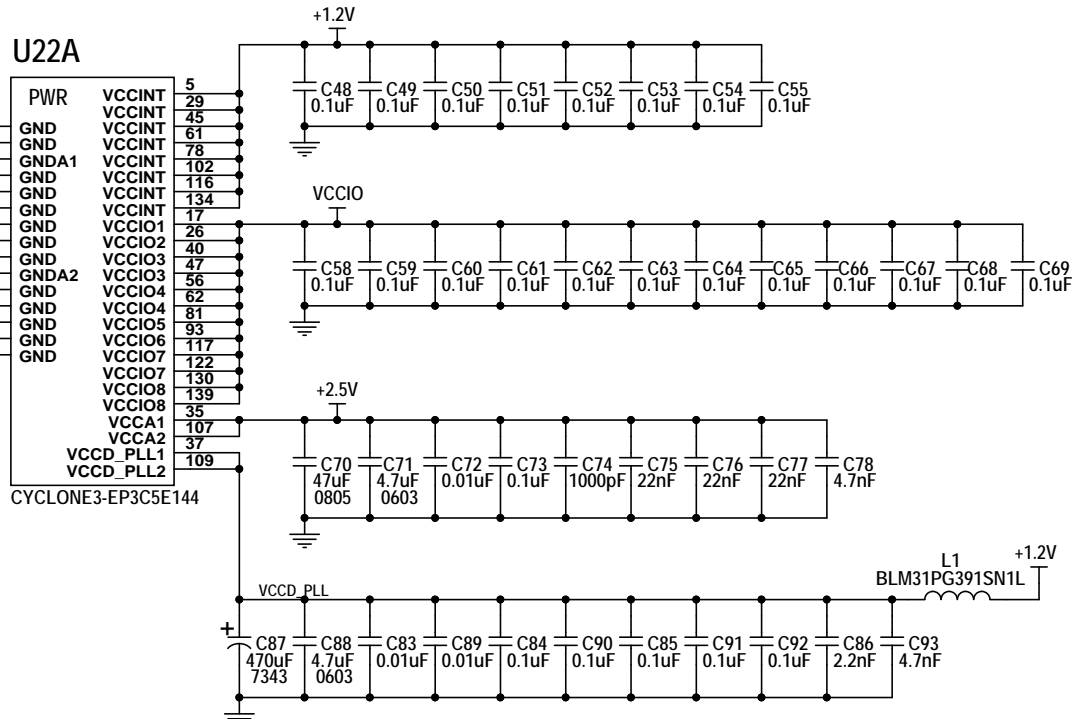
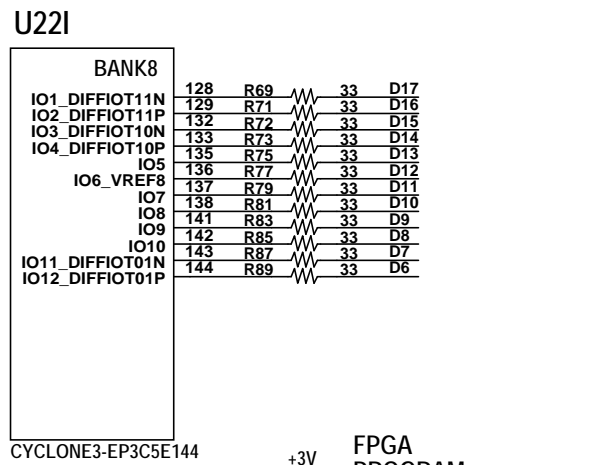
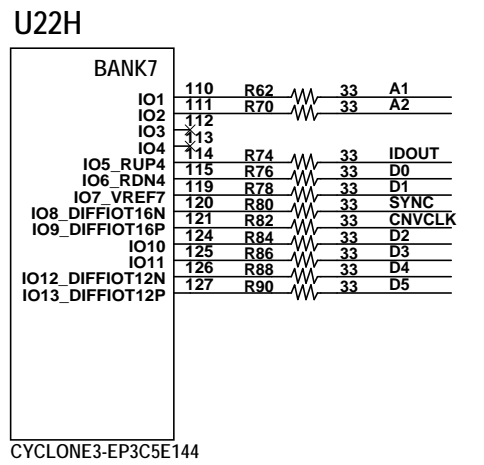
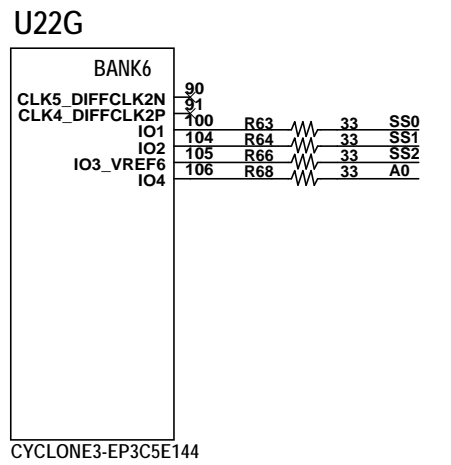
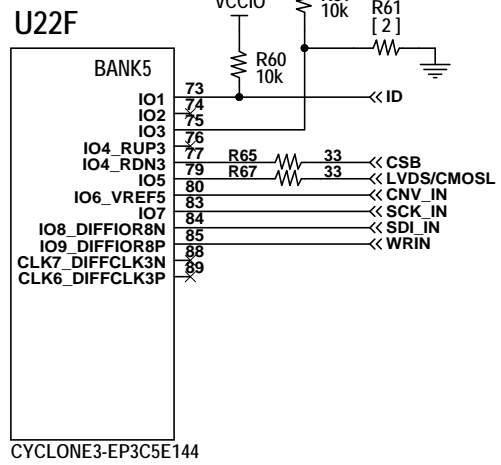
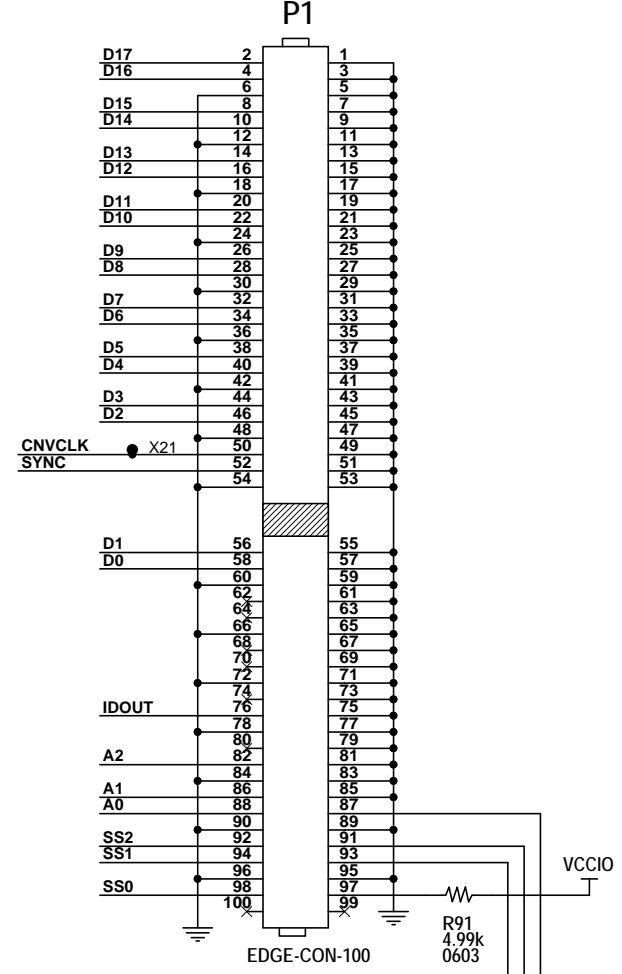
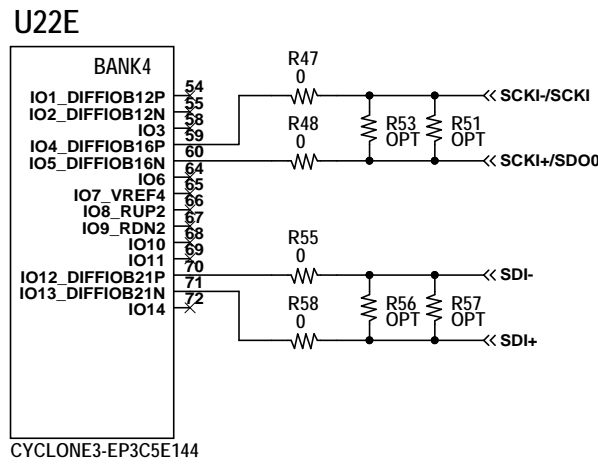
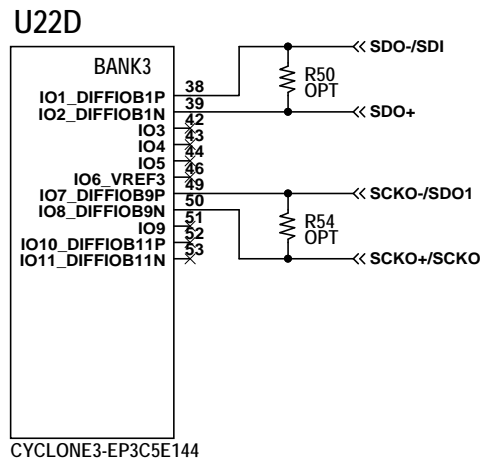
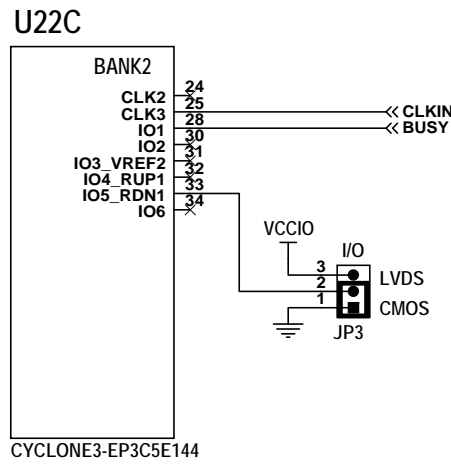
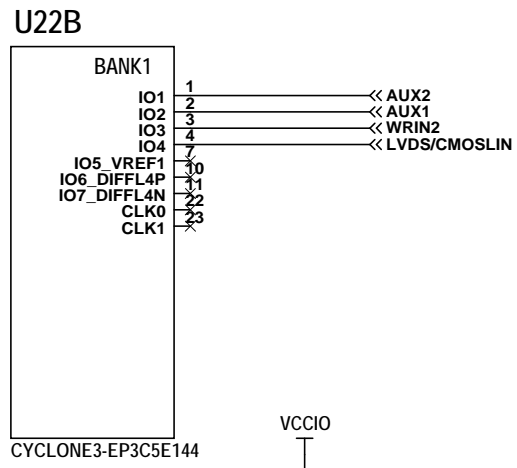
| ASSY | U1 | SUFFIX | -Bit | Ksps | R61 (PAGE 3) |
|------|------------|--------|------|------|--------------|
| -A | LTC2341-18 | 18 | 18 | 666 | 0 |
| -B | LTC2341-16 | 16 | 16 | 666 | OPT |

| CUSTOMER NOTICE | | APPROVALS | | LINEAR TECHNOLOGY | |
|--|--|--------------------------------|--------|--|---|
| LINEAR TECHNOLOGY HAS MADE A BEST EFFORT TO DESIGN A CIRCUIT THAT MEETS CUSTOMER-SUPPLIED SPECIFICATIONS; HOWEVER, IT REMAINS THE CUSTOMER'S RESPONSIBILITY TO VERIFY PROPER AND RELIABLE OPERATION IN THE ACTUAL APPLICATION. COMPONENT SUBSTITUTION AND PRINTED CIRCUIT BOARD LAYOUT MAY SIGNIFICANTLY AFFECT CIRCUIT PERFORMANCE OR RELIABILITY. CONTACT LINEAR TECHNOLOGY APPLICATIONS ENGINEERING FOR ASSISTANCE. | | PCB DES. | KIM T. | 1630 McCarthy Blvd. Milpitas, CA 95035 Phone: (408)432-1900 www.linear.com Fax: (408)434-0507 LTC Confidential-For Customer Use Only | |
| | | APP ENG. | GUY H. | TITLE: SCHEMATIC | |
| | | | | 2-CHANNEL, SOFTSPAN, HIGH SPEED, SERIAL, SAR, ADC | |
| | | SCALE = NONE | SIZE B | | IC NO. LTC2341IUH-18/16 DEMO CIRCUIT 2581A |
| THIS CIRCUIT IS PROPRIETARY TO LINEAR TECHNOLOGY AND SUPPLIED FOR USE WITH LINEAR TECHNOLOGY PARTS. | | DATE: Tuesday, August 09, 2016 | | REV. 1 | |
| | | | | SHEET 1 OF 4 | |



NOTES: UNLESS OTHERWISE SPECIFIED
 1. ALL RESISTORS AND CAPACITORS ON THIS PAGE ARE 0603.

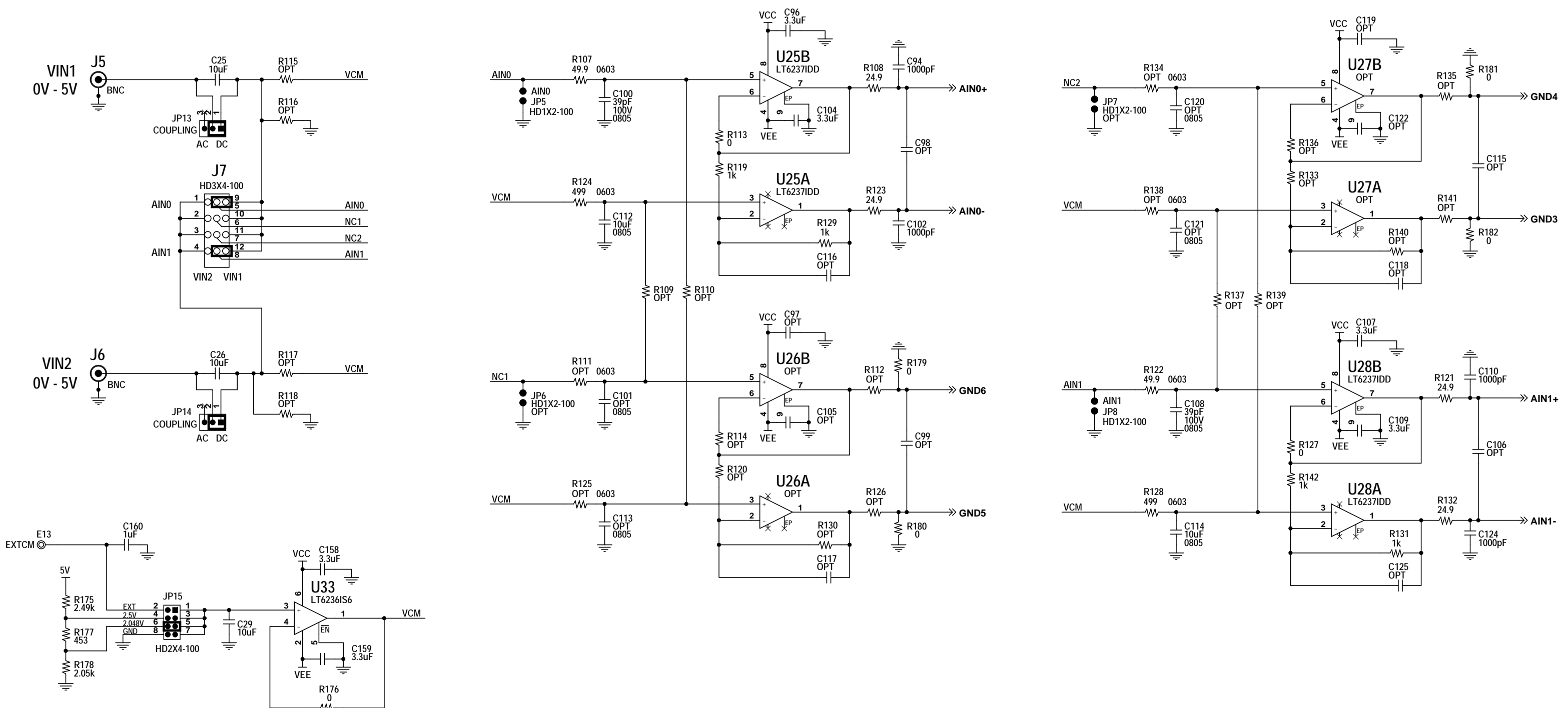
| | | | | | |
|--|--|---|--|--|--------------|
| CUSTOMER NOTICE LINEAR TECHNOLOGY HAS MADE A BEST EFFORT TO DESIGN A CIRCUIT THAT MEETS CUSTOMER-SUPPLIED SPECIFICATIONS; HOWEVER, IT REMAINS THE CUSTOMER'S RESPONSIBILITY TO VERIFY PROPER AND RELIABLE OPERATION IN THE ACTUAL APPLICATION. COMPONENT SUBSTITUTION AND PRINTED CIRCUIT BOARD LAYOUT MAY SIGNIFICANTLY AFFECT CIRCUIT PERFORMANCE OR RELIABILITY. CONTACT LINEAR TECHNOLOGY APPLICATIONS ENGINEERING FOR ASSISTANCE. | | APPROVALS PCB DES. KIM T. APP ENG. GUY H. | | 1630 McCarthy Blvd. Milpitas, CA 95035 Phone: (408)432-1900 www.linear.com Fax: (408)434-0507 LTC Confidential-For Customer Use Only | |
| | | TITLE: SCHEMATIC 2-CHANNEL, SOFTSPAN, HIGH SPEED, SERIAL, SAR, ADC | | | |
| THIS CIRCUIT IS PROPRIETARY TO LINEAR TECHNOLOGY AND SUPPLIED FOR USE WITH LINEAR TECHNOLOGY PARTS. | | SIZE B | IC NO. LTC2341UH-18/16 DEMO CIRCUIT 2581A | REV. 1 | |
| | | SCALE = NONE | | DATE: Friday, August 05, 2016 | SHEET 2 OF 4 |



DC590/DC2026

NOTES: UNLESS OTHERWISE SPECIFIED
 1. ALL RESISTORS AND CAPACITORS ON THIS PAGE ARE 0402.
 [2]. R61 IS 0 OHMS ON "A" ASSEMBLY TYPE AND OPTIONAL ON "B" ASSEMBLY TYPE.

| CUSTOMER NOTICE | | APPROVALS | | | 1630 McCarthy Blvd. Milpitas, CA 95035 Phone: (408)432-1900 www.linear.com Fax: (408)434-0507 LTC Confidential-For Customer Use Only | |
|--|--|-----------|-------------------------|--------------|--|---|
| LINEAR TECHNOLOGY HAS MADE A BEST EFFORT TO DESIGN A CIRCUIT THAT MEETS CUSTOMER-SUPPLIED SPECIFICATIONS; HOWEVER, IT REMAINS THE CUSTOMER'S RESPONSIBILITY TO VERIFY PROPER AND RELIABLE OPERATION IN THE ACTUAL APPLICATION. COMPONENT SUBSTITUTION AND PRINTED CIRCUIT BOARD LAYOUT MAY SIGNIFICANTLY AFFECT CIRCUIT PERFORMANCE OR RELIABILITY. CONTACT LINEAR TECHNOLOGY APPLICATIONS ENGINEERING FOR ASSISTANCE. | | PCB DES. | KIM T. | | TITLE: SCHEMATIC | 2-CHANNEL, SOFTSPAN, HIGH SPEED, SERIAL, SAR, ADC |
| THIS CIRCUIT IS PROPRIETARY TO LINEAR TECHNOLOGY AND SUPPLIED FOR USE WITH LINEAR TECHNOLOGY PARTS. | | APP ENG. | GUY H. | SIZE B | IC NO. LTC2341IUH-18/16 DEMO CIRCUIT 2581A | REV. 1 |
| SCALE = NONE | | DATE: | Friday, August 05, 2016 | SHEET 3 OF 4 | | |



NOTES: UNLESS OTHERWISE SPECIFIED
 1. ALL RESISTORS AND CAPACITORS ON THIS PAGE ARE 0402.

| | | | | | |
|--|--|--|---|--|--------------------------------|
| CUSTOMER NOTICE LINEAR TECHNOLOGY HAS MADE A BEST EFFORT TO DESIGN A CIRCUIT THAT MEETS CUSTOMER-SUPPLIED SPECIFICATIONS; HOWEVER, IT REMAINS THE CUSTOMER'S RESPONSIBILITY TO VERIFY PROPER AND RELIABLE OPERATION IN THE ACTUAL APPLICATION. COMPONENT SUBSTITUTION AND PRINTED CIRCUIT BOARD LAYOUT MAY SIGNIFICANTLY AFFECT CIRCUIT PERFORMANCE OR RELIABILITY. CONTACT LINEAR TECHNOLOGY APPLICATIONS ENGINEERING FOR ASSISTANCE. | | APPROVALS PCB DES. KIM T. APP ENG. GUY H. | | 1630 McCarthy Blvd. Milpitas, CA 95035 Phone: (408)432-1900 www.linear.com Fax: (408)434-0507 LTC Confidential-For Customer Use Only | |
| | | TITLE: SCHEMATIC 2-CHANNEL, SOFTSPAN, HIGH SPEED, SERIAL, SAR, ADC | | | |
| THIS CIRCUIT IS PROPRIETARY TO LINEAR TECHNOLOGY AND SUPPLIED FOR USE WITH LINEAR TECHNOLOGY PARTS. | | SIZE B | IC NO. LTC2341IUH-18/16 DEMO CIRCUIT 2581A | REV. 1 | DATE: Tuesday, August 09, 2016 |
| SCALE = NONE | | SHEET 4 OF 4 | | SHEET 4 OF 4 | |