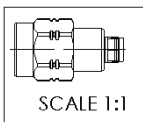
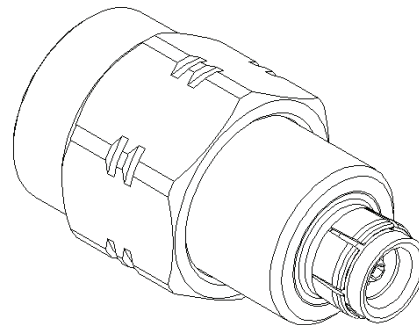
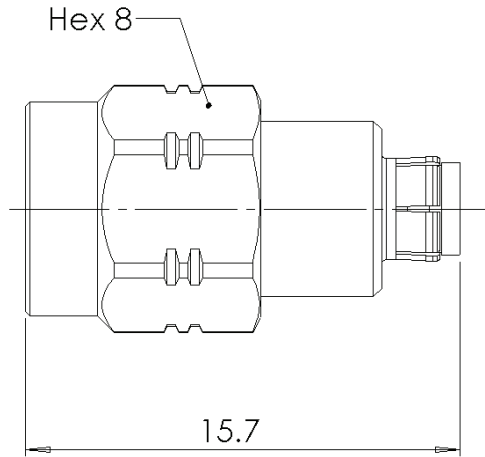
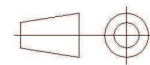


PAGE 1/2	ISSUE 1329A	SERIES ADAPT	PART NUMBER <b>R191389100</b>
----------	-------------	--------------	-------------------------------



All dimensions are in mm.



COMPONENTS	MATERIALS	PLATING (µm)
Body	<b>BRASS</b>	<b>NPGR</b>
Center contact	<b>BERYLLIUM COPPER</b>	<b>GOLD OVER NICKEL</b>
Outer contact	<b>BERYLLIUM COPPER</b>	<b>NPGR</b>
Insulator	<b>PTFE</b>	
Gasket	<b>SILICONE RUBBER</b>	
Others parts	<b>BRASS</b>	<b>GOLD OVER NICKEL</b>
-	-	-
-	-	-

PAGE 2/2	ISSUE 1329A	SERIES ADAPT	PART NUMBER <b>R191389100</b>
----------	-------------	--------------	-------------------------------

**PACKAGING**

Standard	Unit	Other
	<b>Contact us</b>	<b>Contact us</b>

**ELECTRICAL CHARACTERISTICS**

Impedance		<b>50</b>	$\Omega$
Frequency		<b>0-12.4</b>	GHz
VSWR	<b>1.083*</b>	<b>+</b>	<b>0.0100</b>
Insertion loss		<b>0.12</b>	$\sqrt{F}$ (GHz) dB Maxi
RF leakage	<b>- (</b>	<b>100**</b>	<b>- F</b> (GHz) dB Maxi
Voltage rating		<b>330</b>	Veff Maxi
Dielectric withstanding voltage		<b>500</b>	Veff mini
Insulation resistance		<b>1000</b>	M $\Omega$ mini

**MECHANICAL CHARACTERISTICS**

Center contact retention			
Axial force – Mating End		<b>10</b>	N mini
Axial force – Opposite end		<b>10</b>	N mini
Torque		<b>NA</b>	N.cm mini
Recommended torque			
Mating	<b>SMA-COM</b>	<b>100</b>	N.cm
	<b>MMBX</b>	<b>0</b>	N.cm
		<b>0</b>	N.cm
Panel nut		<b>NA</b>	N.cm
Mating life		<b>500</b>	Cycles mini
Weight		<b>3.1570</b>	g

**ENVIRONMENTAL**

Operating	<b>-55/+155°</b>	$^{\circ}\text{C}$
Hermetic seal	<b>NA</b>	Atm.cm3/s
Panel leakage	<b>NA</b>	

**SPECIFICATION**

**OTHER CHARACTERISTICS**

**\*to 6 GHz**  
**\*\*Interface MMBX only up to 2.5GHz**