

# SVM

## Single Phase Voltage Relay



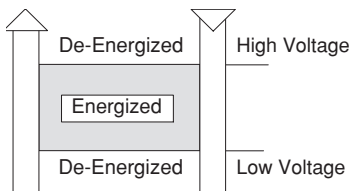
- AC or DC Voltage Monitor
- Over & Under Voltage
- Single Knob Adjust
- 10Amp Contacts NC/NO
- Nuisance Delay
- Compact Design
- Low Cost



### Operation

#### Nominal Voltage Monitor

The SVM monitors single phase AC or DC voltages and operates a set of dry contacts. Several voltage ranges are available. The control is set to the nominal voltage and the relay will drop out when the percentage over or under voltage condition is reached. The LED lights when conditions are normal and the output relay is energized. A time delay controls the effects of short term voltage variations. Fixed delay is 0.5 second.



### Specifications

#### Electrical

**Nominal Voltage:** 50/60 Hz

- 11 to 15VAC
- 22 to 27VAC
- 100 to 130VAC
- 200 to 250VAC
- 350 to 420VAC
- 11 to 15VDC
- 22 to 27VDC
- 28 to 32VDC
- 42 to 55VDC
- 60 to 100VDC Consult Factory

#### Over/Under Voltage:

±10, 13, or 16% of Nominal Voltage

#### Hysteresis: 2%

#### Pick-up & Drop-out Delays:

0.5 sec. fixed

#### Power Consumption: 1.5VA

#### Output Rating @ 25°C:

- 10 Amps @ 250VAC
- 1/2 HP @ 250VAC
- 1/3 HP @ 125VAC
- 10 Amps @ 30VDC

#### Physical

**Mounting:** Plug-In

**Termination:** 8 Pin Octal (Over 300V requires use of OT-08 socket.)

**Packaging:** Dust Cover

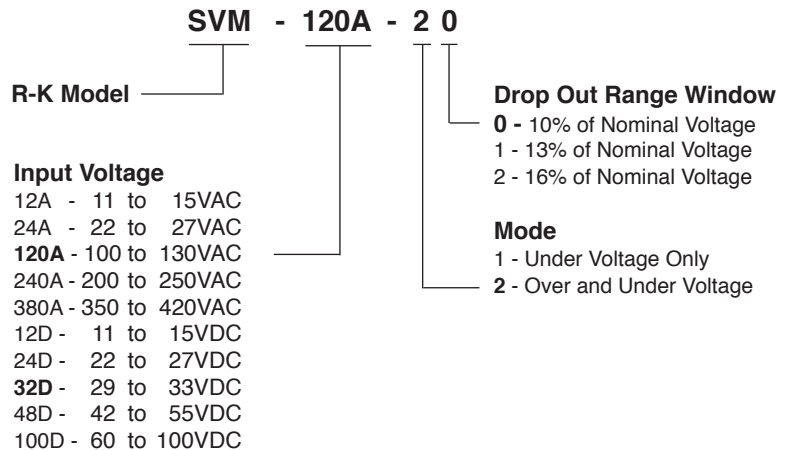
**Weight:** 9 Oz.

#### Ambient Temperatures

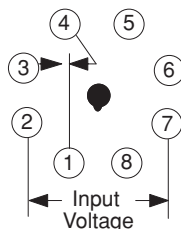
**Operating:** 0°C to 40°C

**Storage:** -40°C to 85°C

### Ordering Information



### Connections



### Dimensions

